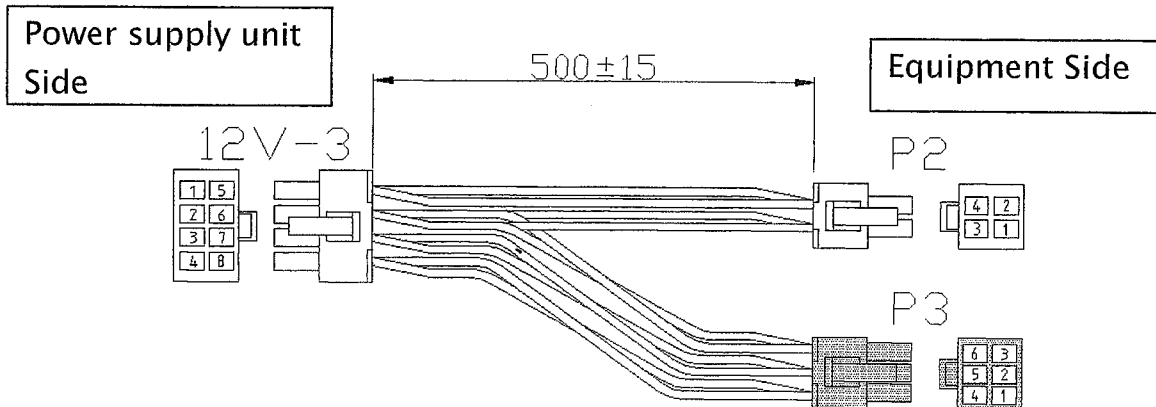


This specification applies to 12V POWER Cable, Model: WH-VG208-500.

General Specification

Item		Specification	Measurement condition, etc.
Environment	Operation temp.	0 to 70°C	Temp. gradient 15°C/H
	Storage temp.	-25 to 70°C	Temp. gradient 15°C/H
	Relative humidity	10 to 95%	No condensation
Others	Warranty	1 year after delivery; if any defects belong to us, the defective unit shall be repaired or replaced at our cost.	Expect any defects caused By the operation out of the specification.
	For environment	RoHS compliant	

Rated current, shape, dimension, etc.



12V-3				P2			
CONNECTOR TYPE	PIN No.	PIN No.	MAX CURRENT	FUNCTION	WIRE		CONNECTOR TYPE
					COLOR	TYPE	
Housing: CP-01108030 (CvILux)	1	1	5.6A	COM	BLACK	UL1007 AWG#18	Housing: CP-01104030 (CvILux)
Terminal: 2PIN, 6PIN...CP-01100105 (CvILux)	2	2	5.6A	COM	BLACK		Terminal: CP-01100102 (CvILux)
Other...CP-01100102 (CvILux)	6	3	5.6A	+12V	YELLOW		or equivalent
or equivalent	5	4	5.6A	+12V	YELLOW		

12V-3				P3			
CONNECTOR TYPE	PIN No.	PIN No.	MAX CURRENT	FUNCTION	WIRE		CONNECTOR TYPE
					COLOR	TYPE	
	8	1	5.6A	+12V	YELLOW	UL1007 AWG#18	Housing: 45559-0002 (Molex)
	7	2	5.6A	+12V	YELLOW		Terminal: 5556 (Molex)
	6	3	5.6A	+12V	YELLOW		or equivalent
	4	4	5.6A	COM	BLACK		
	3	5	5.6A	COM	BLACK		
	2	6	5.6A	COM	BLACK		

About Packaging

Output wire harness shall be packed in plastic bag with model name label, and packed in a box separately with power supply unit.



Drawn by	Marumo	Checked by	yodo	Approved by	A. Tatsumi	Model name	WH-VG208-500	Document No.	2785-05-4-521 1/1
----------	--------	------------	------	-------------	------------	------------	--------------	--------------	-------------------

Nipron Co., Ltd.