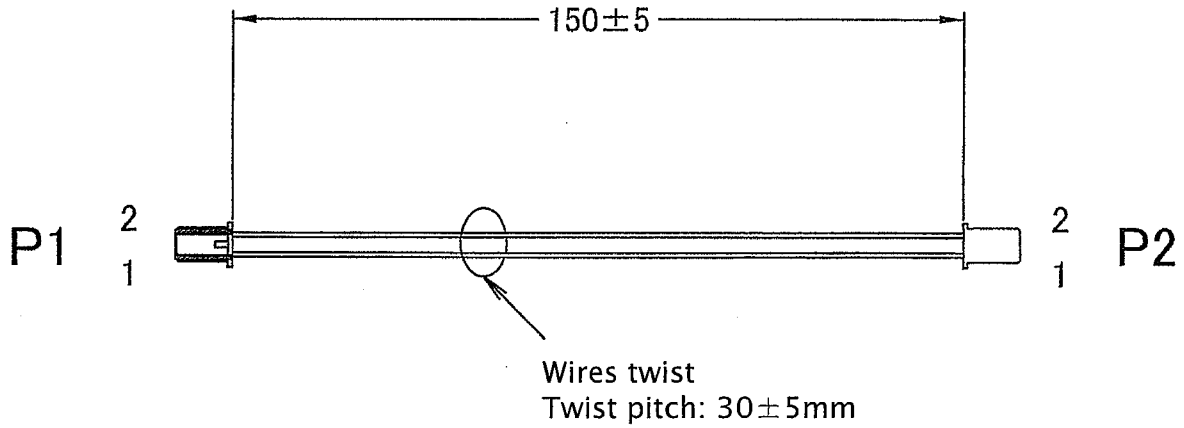


Scope: This specification applies to 2 unit parallel operation cable for GPSA-1500 series , WH-02XA02XA-150.

General Specification

Items		Specification	Measurement condition, etc.
Environ ment	Operation temp.	0 to 70°C	Temp. gradient 15°C/H
	Storage temp.	-25 to 70°C	Temp. gradient 15°C/H
	Relative humidity	10 to 95%	No condensation
Others	Warranty	1 year after delivery. If any defects belong to us, the defective unit shall be repaired or replaced at our cost.	Provided that the unit shall be operated under normal temp. and humidity, and rating.
	For environment	RoHS compliant	

Rated current, Shape, dimension, etc.



CN Name	Connector Type	Pin No.	Function	Wire		Pin No.	CN Name	Connector Type
				Color	type			
P1	Housing: XAP-02V-1 (JST)	1	VB	BLUE	UL1007 AWG#24	1	P2	Housing: XAP-02V-1 (JST)
	Terminal: SXA-001T-P0.6 (JST)	2	CB	WHITE		2		Terminal: SXA-001T-P0.6 (JST)

Note

About Packaging
Output harness shall be packed in plastic bag with model label, and packed in a box separately with power supply unit.



Drawn by	Yodo	Checked by	<i>Nishi</i>	Approved by	<i>Satsumi</i>	Model:	WH-02XA02XA-150	Drawing No.	6182-02-4-520
									1/1