

# Battery Package CB01A-EC400 series

No worry about replacement due to lifetime with this capacitor units!

Lead Ni-Cd Ni-MH Other

RoHS Directive



Model	Description
CB01A-EC400/322F	Discharge characteristics are different
CB01A-EC400/642F	Discharge characteristics are different

■ Model name coding      ① Series name      ④ Output voltage  
**CB01 A - EC 400 / \*\*\*F**      ② Modification      ⑤ Capacity  
 ①    ②    ③    ④    ⑤      ③ Electrolytic capacitor

## Compatible Power Supply

● OZP-350-\*\*-\*\*SEB

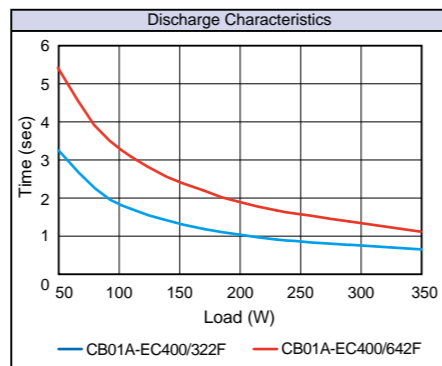
## Battery Charge/Discharge Characteristics

(Be aware that it is a reference value at initial use of CB01 series; it is not a guaranteed value.) (Examples of actual measurement)

## Features

By using electrolytic capacitors, instead of a battery package, the unit has 10 years min. (at 40°C) life expectancy. No need for maintenance.

- Advantages of a capacitor package
  - Maintenance free (no need for replacement)
  - Low and high operating temperature (0 to 60°C)

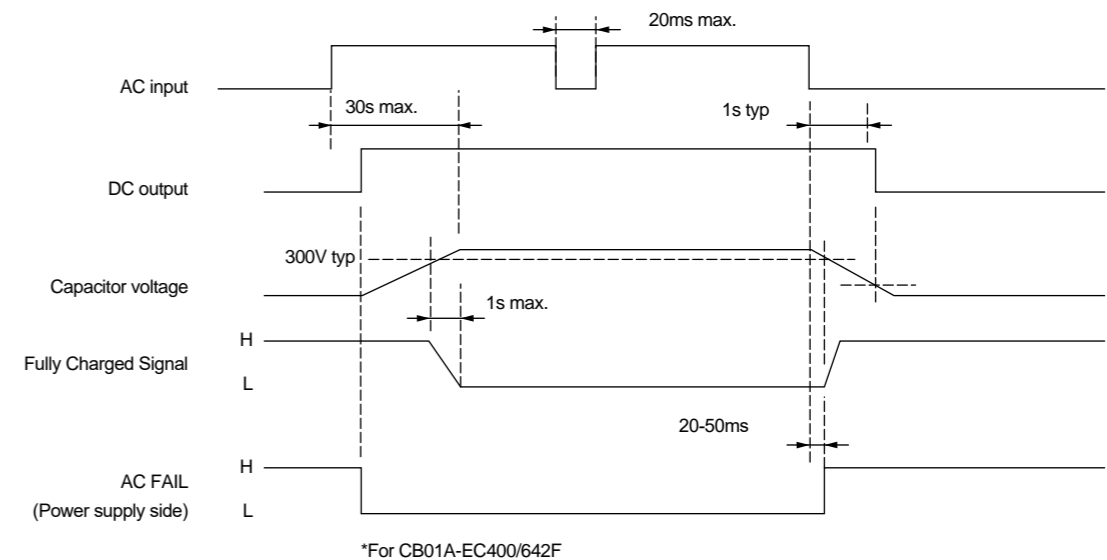


## General Specification (Items are provided at normal temperature and humidity unless otherwise specified.)

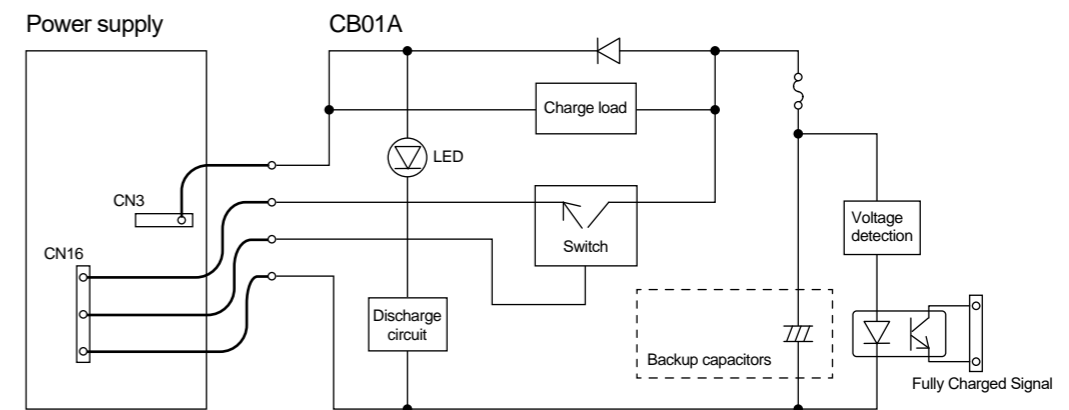
Items	Specification	Measurement condition, etc.
Model	CB01A-EC400/322F      CB01A-EC400/642F	
Capacitor	420V 800uF (4 capacitors in parallel)      420V 800uF (8 capacitors in parallel)	
Nominal Capacitor Capacity	3200uF      6400uF	
Capacitor Charging Time	30s max.	Time until the capacitor reaches 340V after the power supply is turned on.
Backup Time	About 0.5s      About 1s	At 350W load
Self-discharge Time 1	About 5min      About 10min	Time until the capacitor voltage decreases to 30V in the case that the connection with the power supply goes open at full charge.
Fully Charged Signal	Output open collector signal "L", when capacitor voltage detect over 300V.	Input current shall be less than 15mA at collector ON. ON voltage is 12V max. Collector voltage shall be less than 30V at OFF. Output "H" signal when cables are disconnected or unconnected.
Operating Temp./Humidity	0 to 60°C/20-90% RH	There shall be no condensation.
Storage Temp./Humidity	-20 to 70°C/10-95%RH	There shall be no condensation.
Weight	0.4kg typ      0.72kg typ	
Vibration	Displacement amplitude: 0.15mm (10-55Hz), Sweep cycles: 10, Test duration: 45 minutes each axis	JIS-C-60068-2-6, at no operation
Mechanical Shock	Acceleration of 150m/s <sup>2</sup> for 11ms one time each in the X, Y and Z directions. No malfunction, damage, loosening or coming-off	JIS-C-60068-2-31, at no operation
Insulation Resistance	Input - FG: 10MΩ min.	At 500 VDC
Dielectric Strength	Input - FG: 1.5kV for 1 minute	It can be shortened to 1.8kV/s, current: 10mA max.
Safety Standard	UL60950-1, CSA60950-1 (c-UL), PSE (Ordinance item 2) compliant	Approved by in combination with a power supply
Reliability Grade	FA (industrial equipment grade, double-sided through hole PCB)	Following our standard
Expected Life*	10 years min.	Environmental temperature: 40°C Based on the calculation of the actual life of an electrolytic capacitor.
Warranty	Three years after delivery. If any defects belong to us, the defective unit shall be repaired or replaced at our cost.	Except for errors caused by operation not specified in this specification.

\* Life expectancy is a reference value. It is not a guaranteed value.

## Sequence Timing Chart



## Block Diagram



## Outline Drawing

