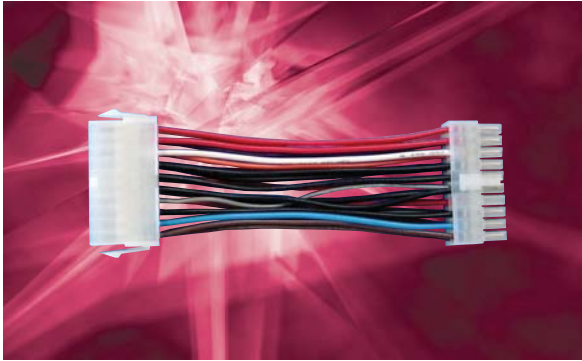


# ATX always ON connector WH5073 (PS5073)



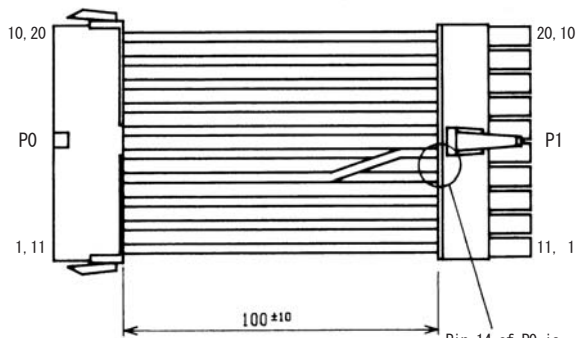
Model*	Stock
WH5073 (PS5073)	Standard stock

\* Model in () is old name.

## Features

- Use this to keep ATX power supply always ON when AC is turned on. (No switch operation is required).

## Dimension



Pin 14 of P0 is double crimped with pin 15 on P1 side.

## Pinout assignment

CONNECTOR TYPE	PIN No.	PIN No.	MAX CURRENT	FUNCTION	WIRE COLOR	WIRE TYPE	CONNECTOR TYPE
P0	1	1	5A	+3.3V	BROWN	UL1007 AWG#18	Receptacle connector: CP-01120030(Cv/Lux) or equivalent. Terminal: 1-13PIN, 16-20PIN CP-01100102(Cv/Lux) 15PIN CP-01100105(Cv/Lux) or equivalent
	2	2	5A	+3.3V	BROWN		
	3	3	5A	COM	BLACK		
	4	4	5A	+5VDC	RED		
	5	5	5A	COM	BLACK		
	6	6	5A	+5VDC	RED		
	7	7	5A	COM	BLACK		
	8	8	5mA	PWR OK	ORANGE		
	9	9	50mA	+5VSB	VIOLET		
	10	10	5A	+12VDC	YELLOW		
	11	11	5A	+3.3V	BROWN		
	12	12	0.5A	-12VDC	BLUE		
	13	13	5A	COM	BLACK		
	14			N.C.			
	14	15	5A	COM	BLACK	UL1007 AWG#18	
	15						
	16	16	5A	COM	BLACK		
	17	17	5A	COM	BLACK		
	18	18	0.5A	-5VDC	WHITE		
	19	19	5A	+5VDC	RED		
	20	20	5A	+5VDC	RED		